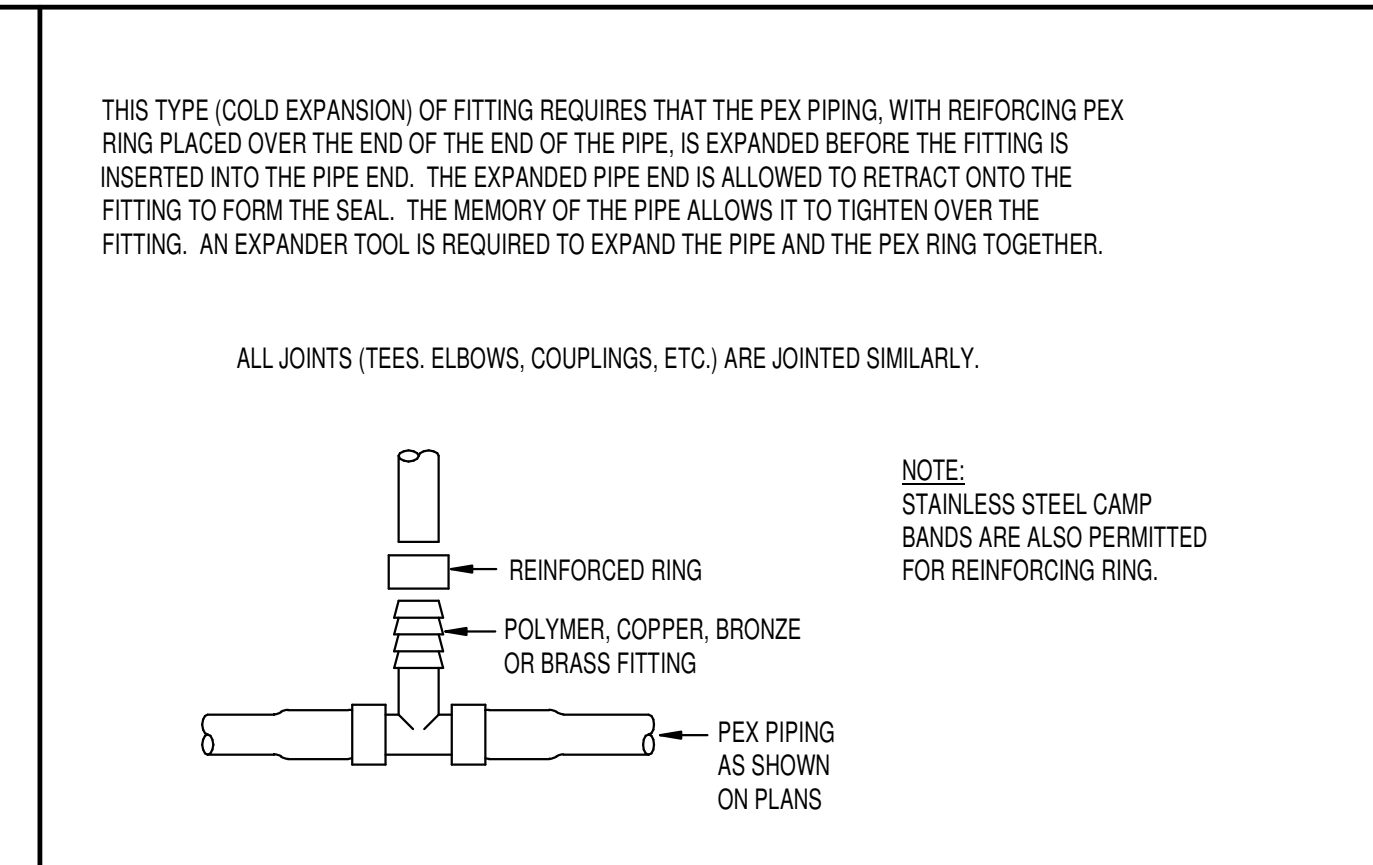
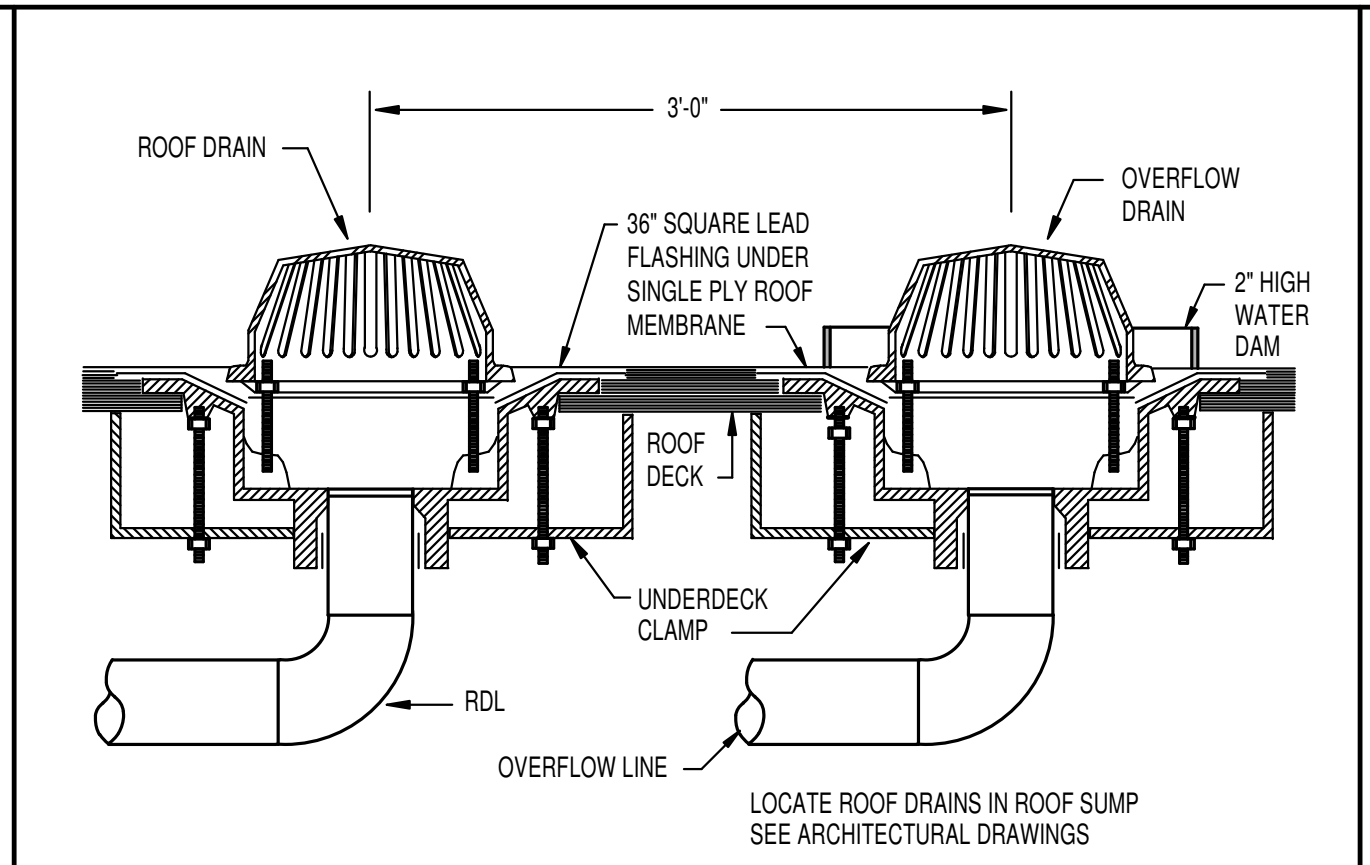


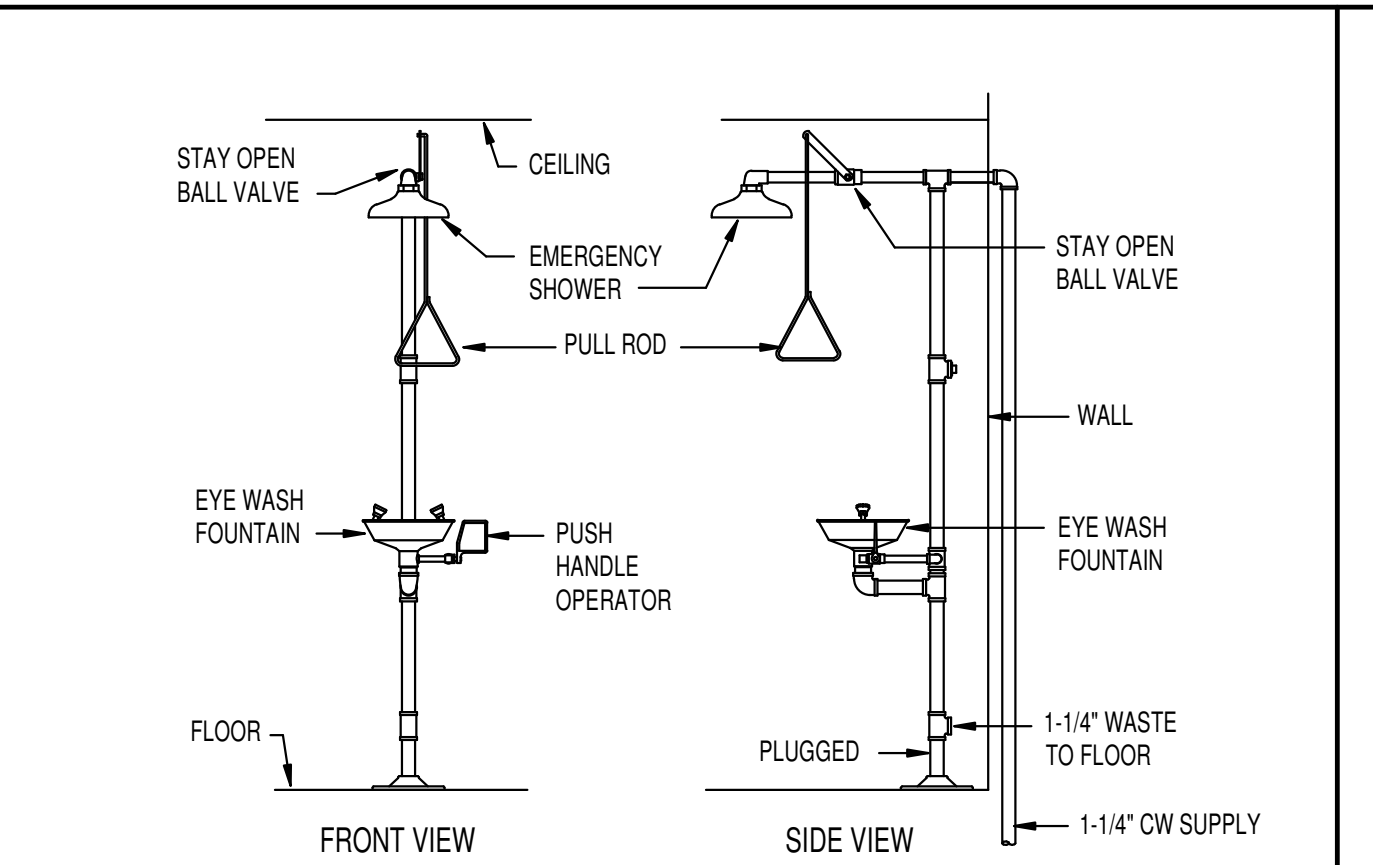
A PEX PIPE INSTALLATION DETAILS NO SCALE



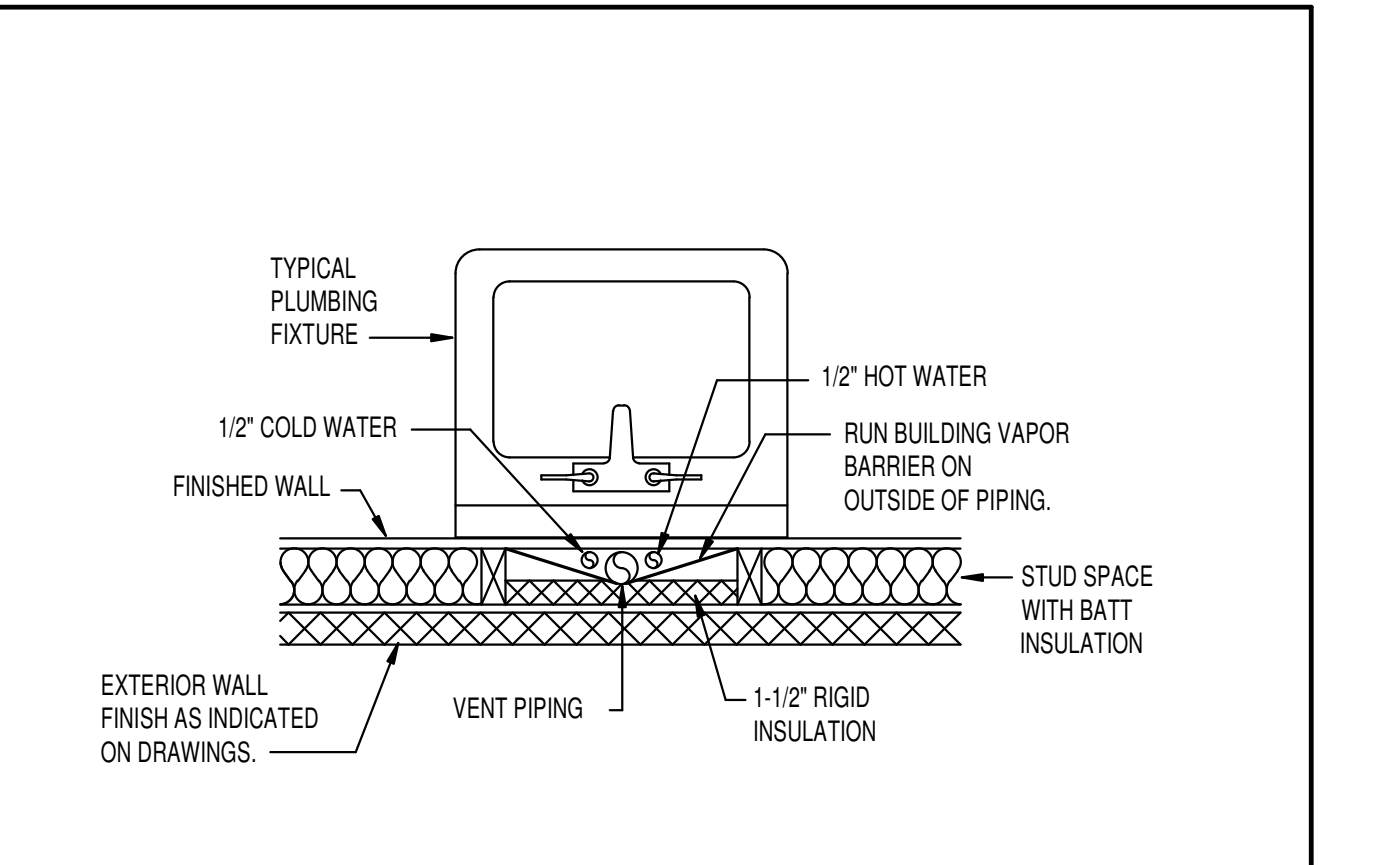
B PEX PIPE FITTING DETAILS NO SCALE



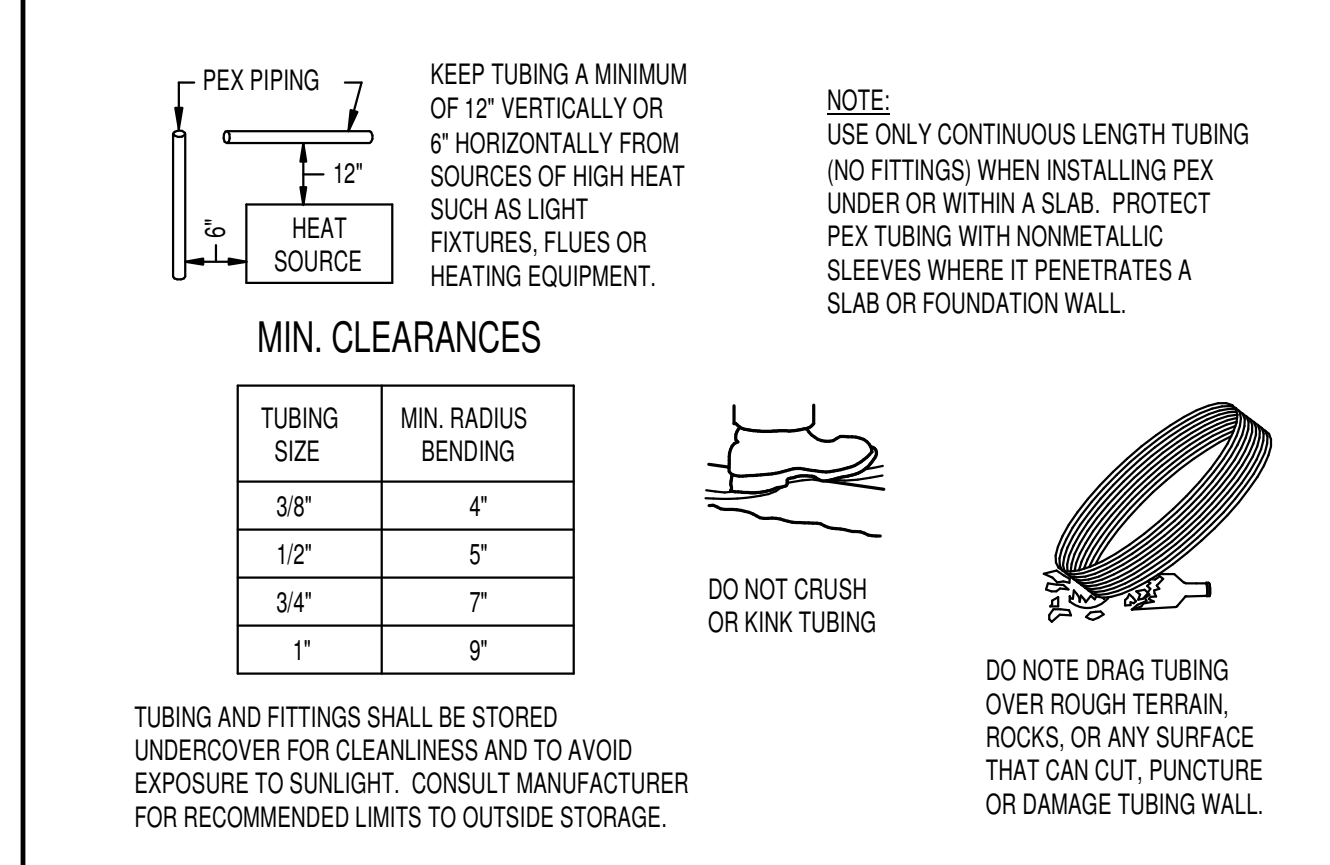
C ROOF DRAIN DETAIL NO SCALE



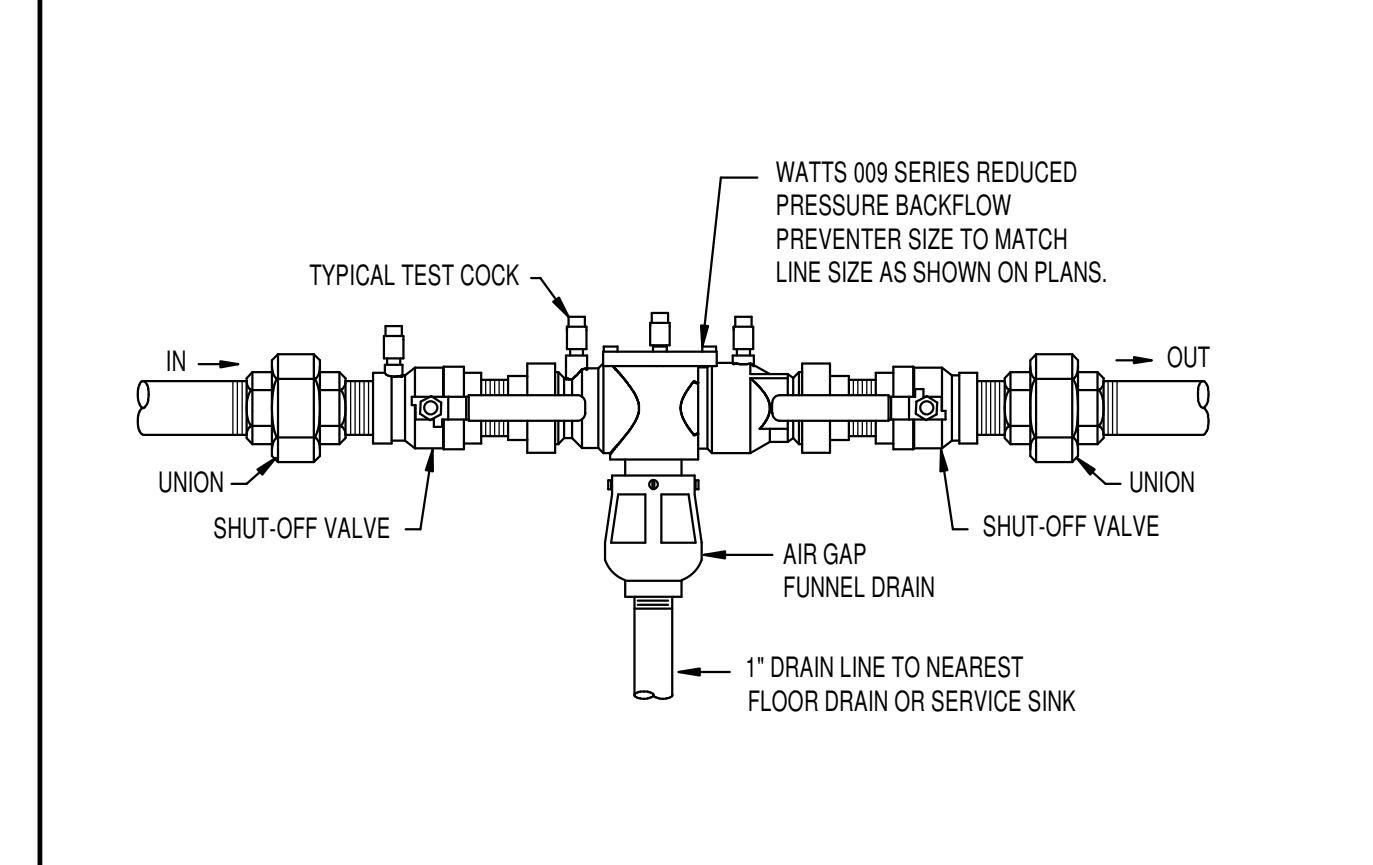
D EMERGENCY SHOWER DETAIL NO SCALE



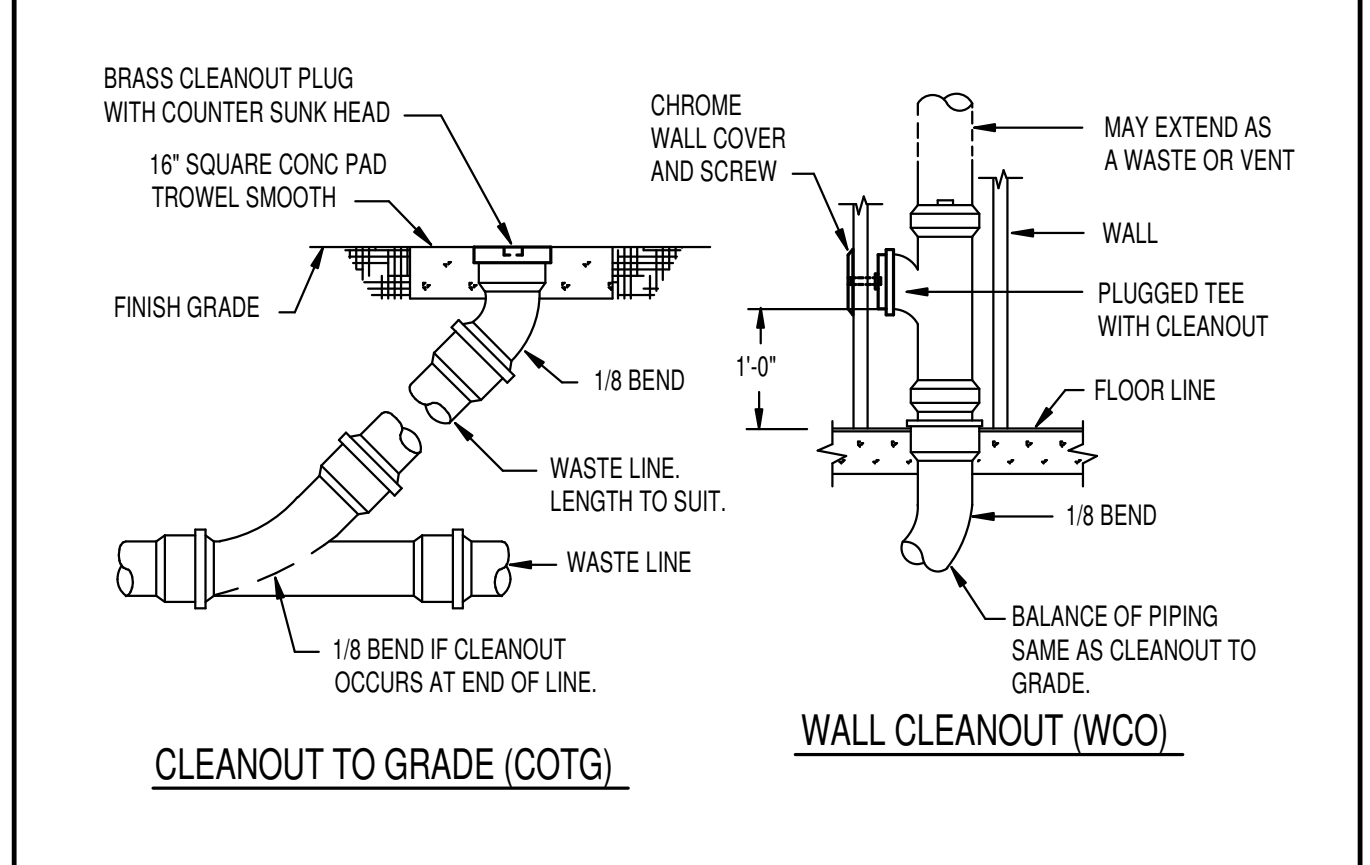
E PIPING IN OUTSIDE WALL NO SCALE



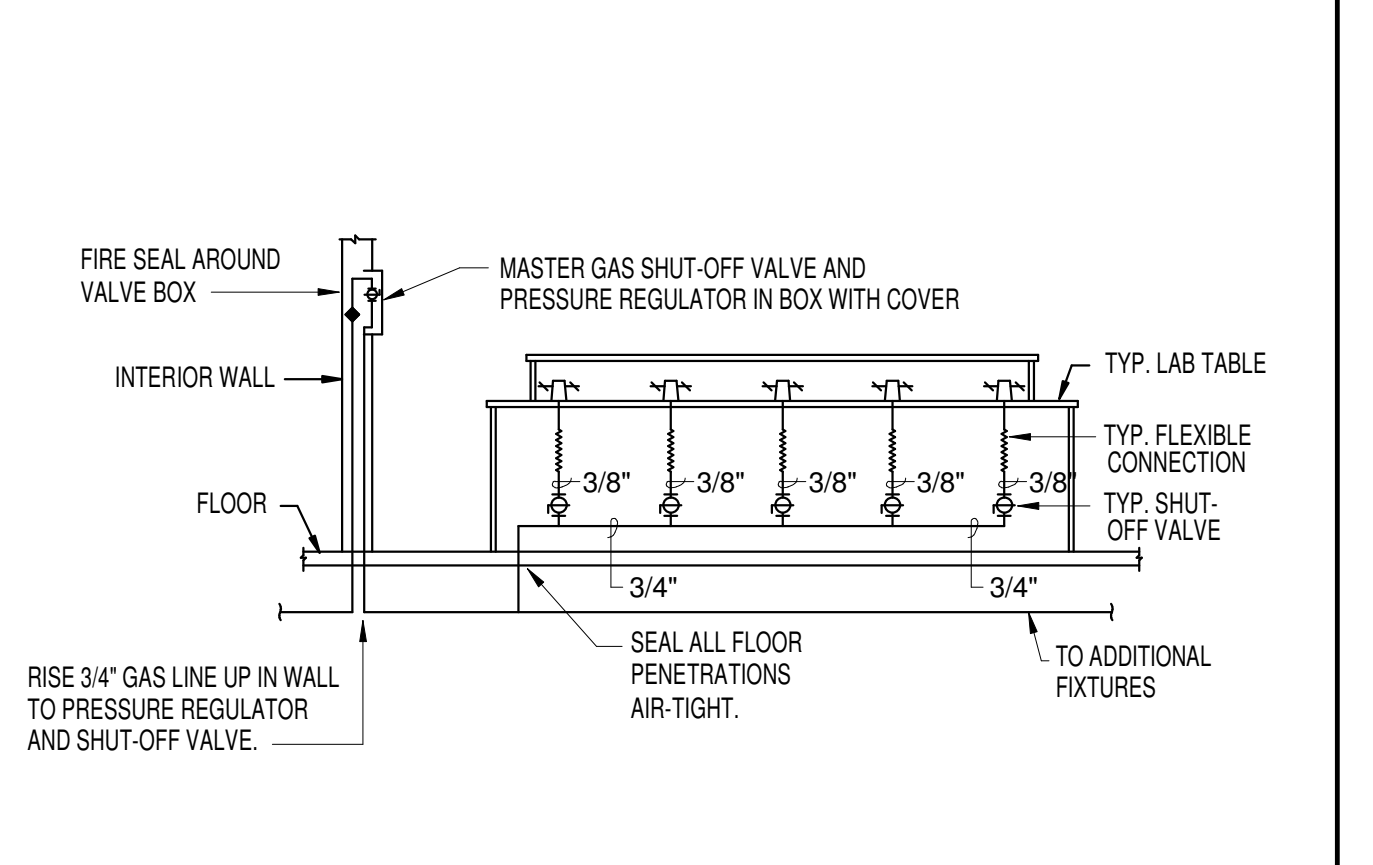
F PEX PIPE HANDLING DETAILS NO SCALE



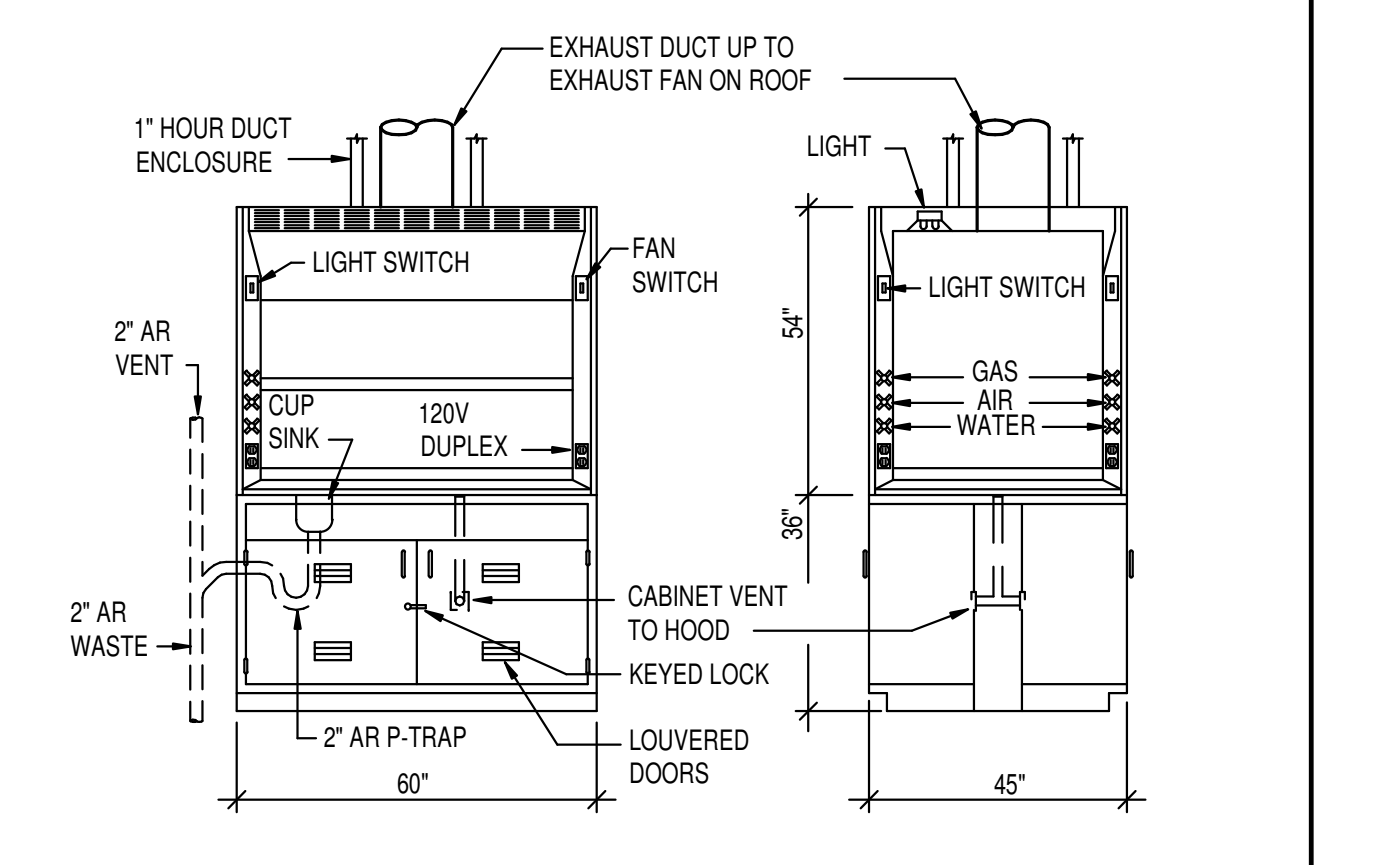
G BACK-FLOW PREVENTER DETAIL NO SCALE



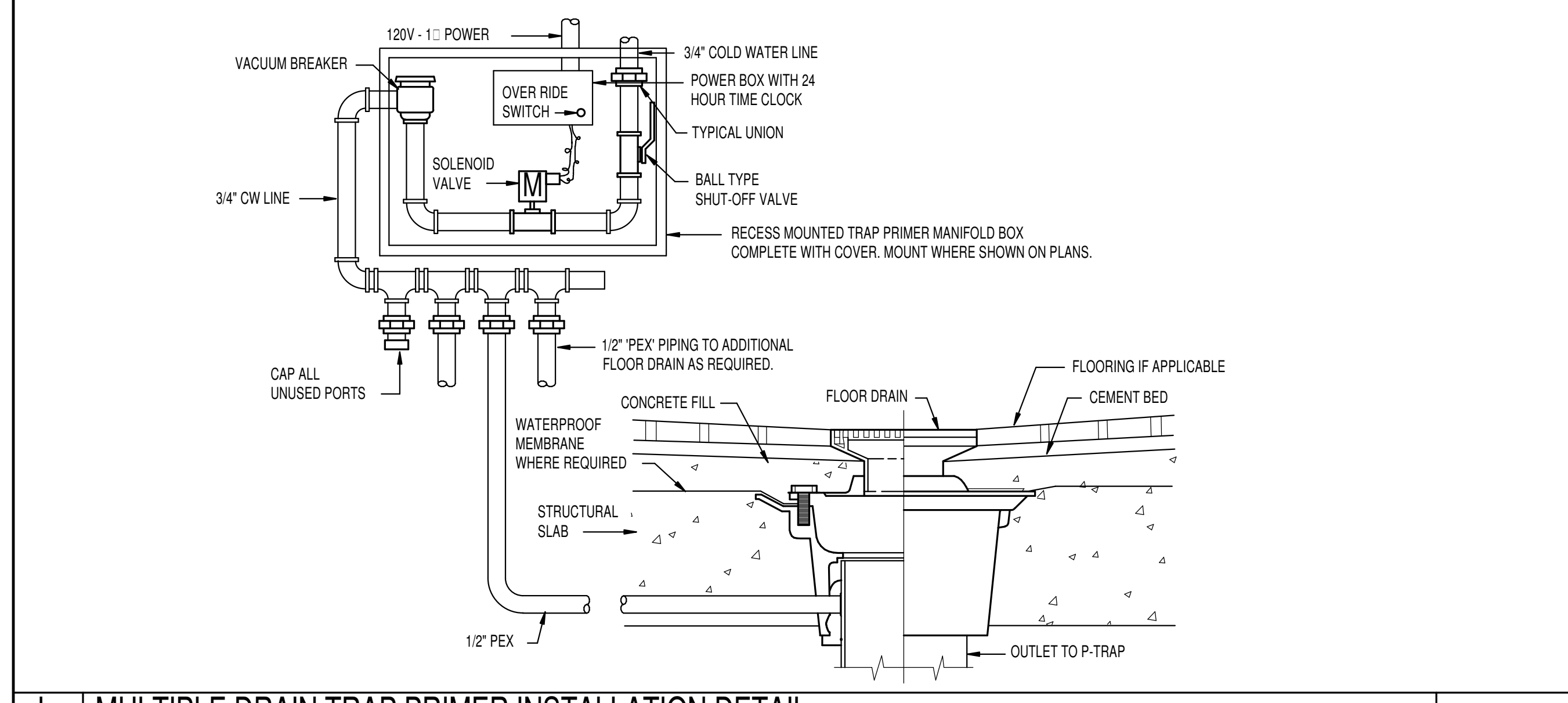
H CLEAN OUT DETAILS NO SCALE



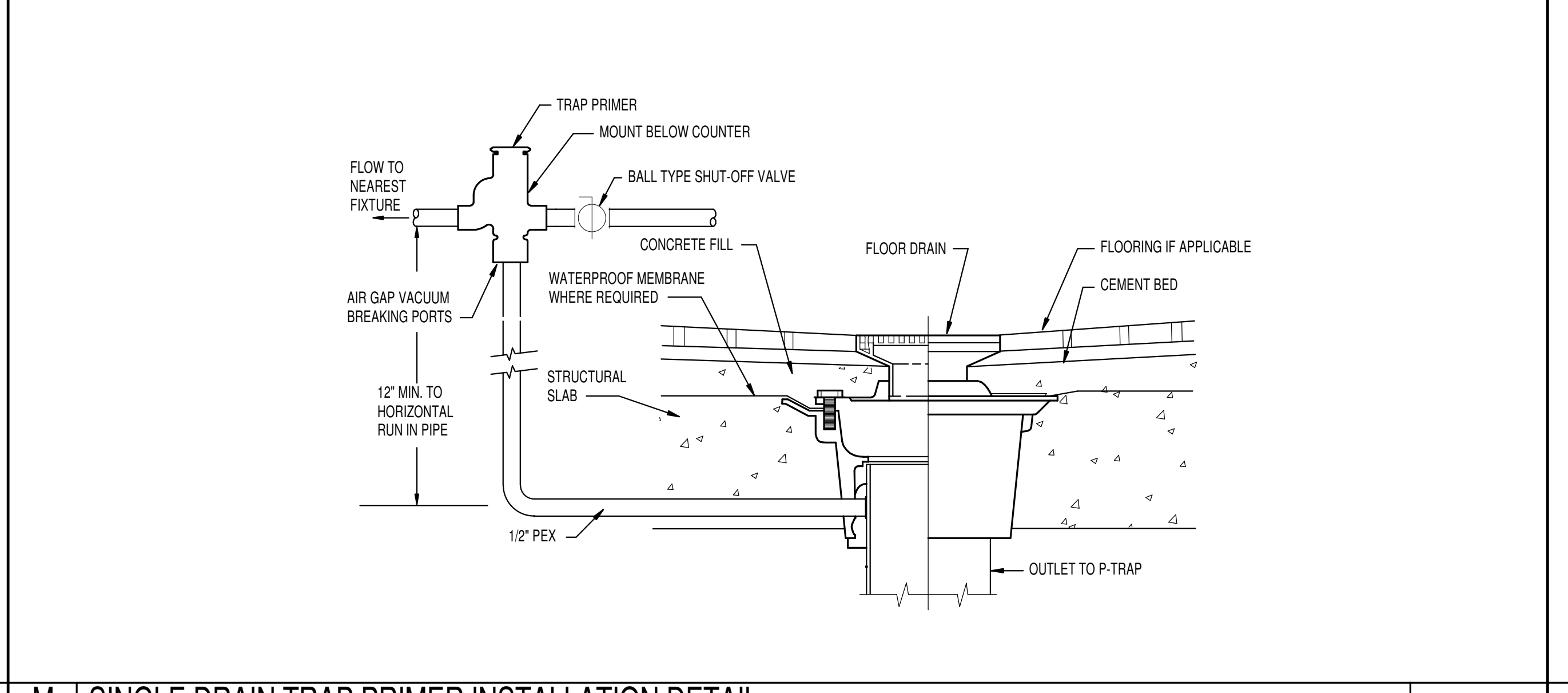
J EMERGENCY GAS SHUT-OFF VALVE NO SCALE



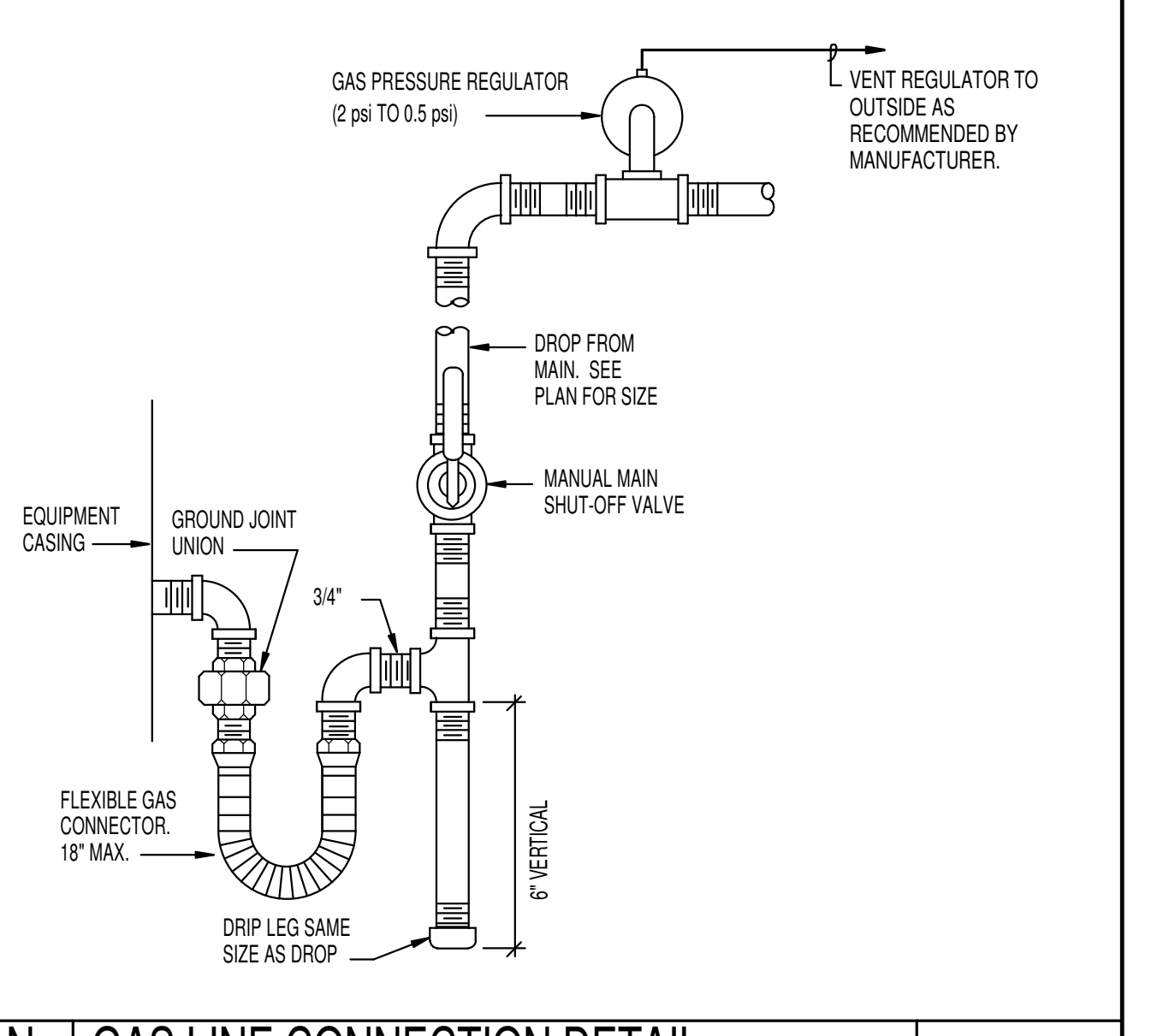
K DOUBLE SIDED FUME HOOD DETAIL NO SCALE



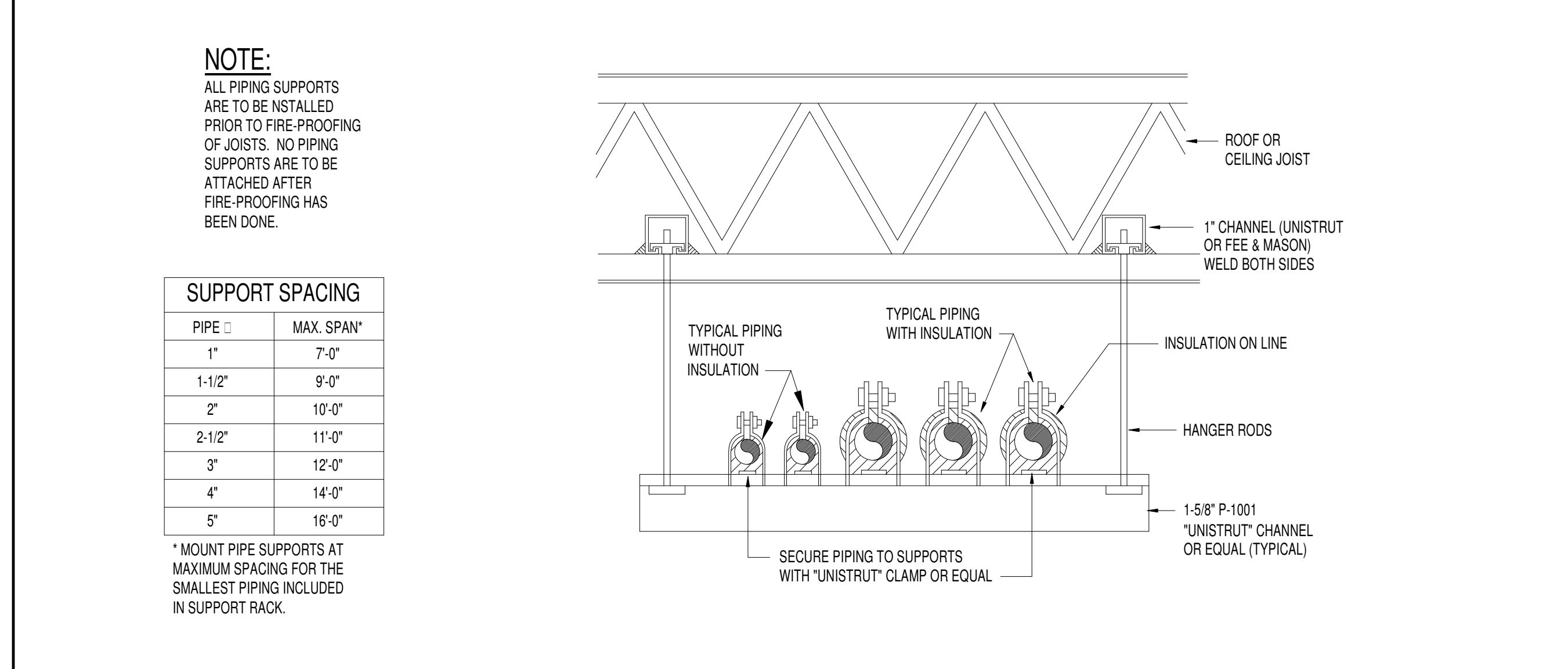
L MULTIPLE DRAIN TRAP PRIMER INSTALLATION DETAIL NO SCALE



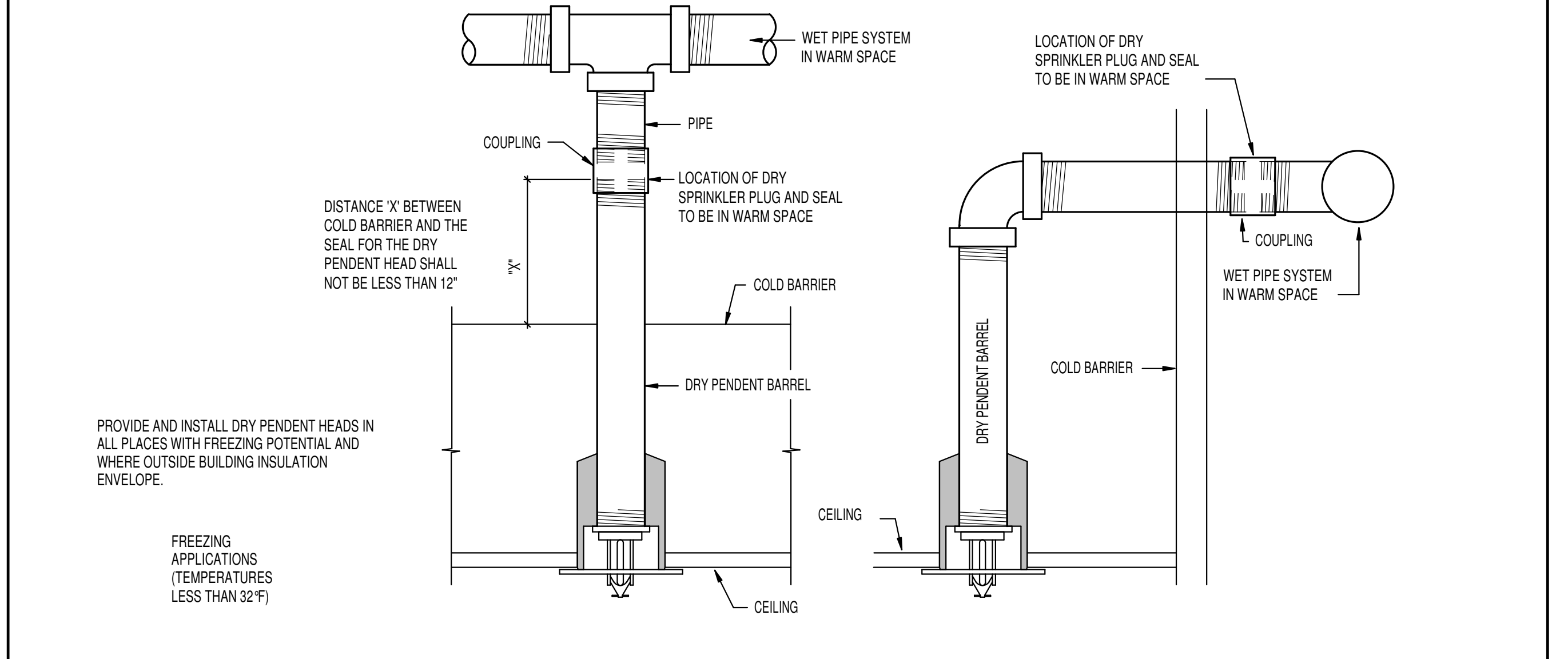
M SINGLE DRAIN TRAP PRIMER INSTALLATION DETAIL NO SCALE



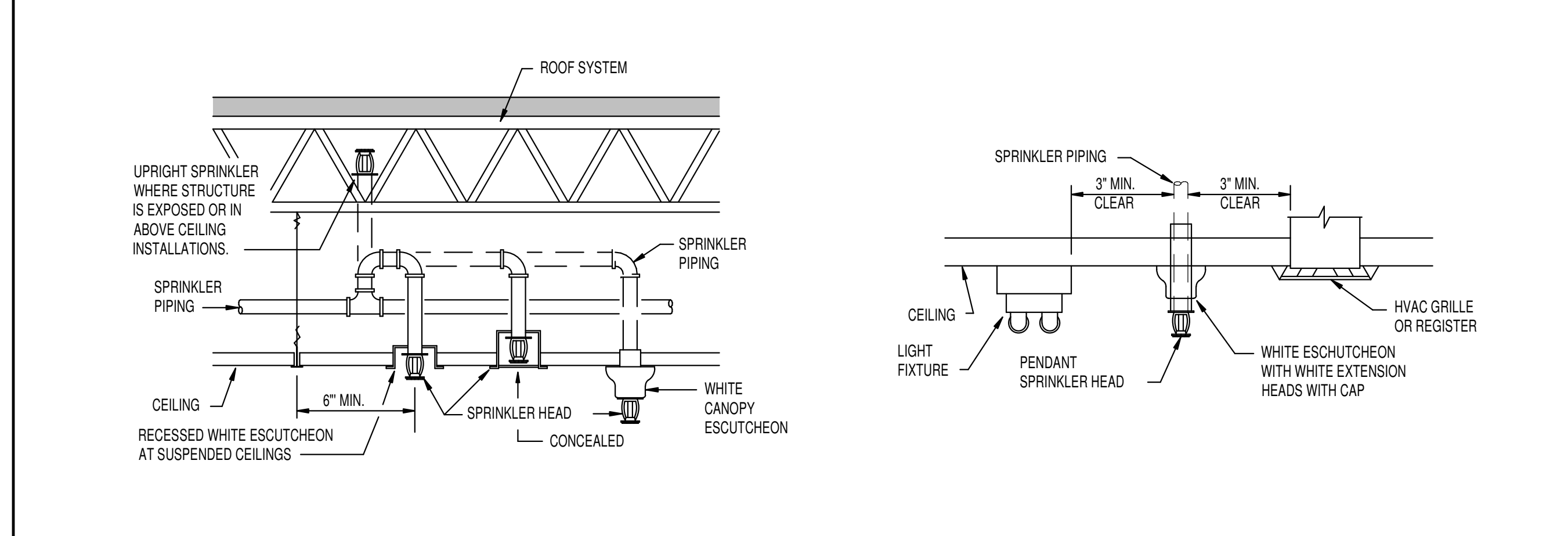
N GAS LINE CONNECTION DETAIL NO SCALE



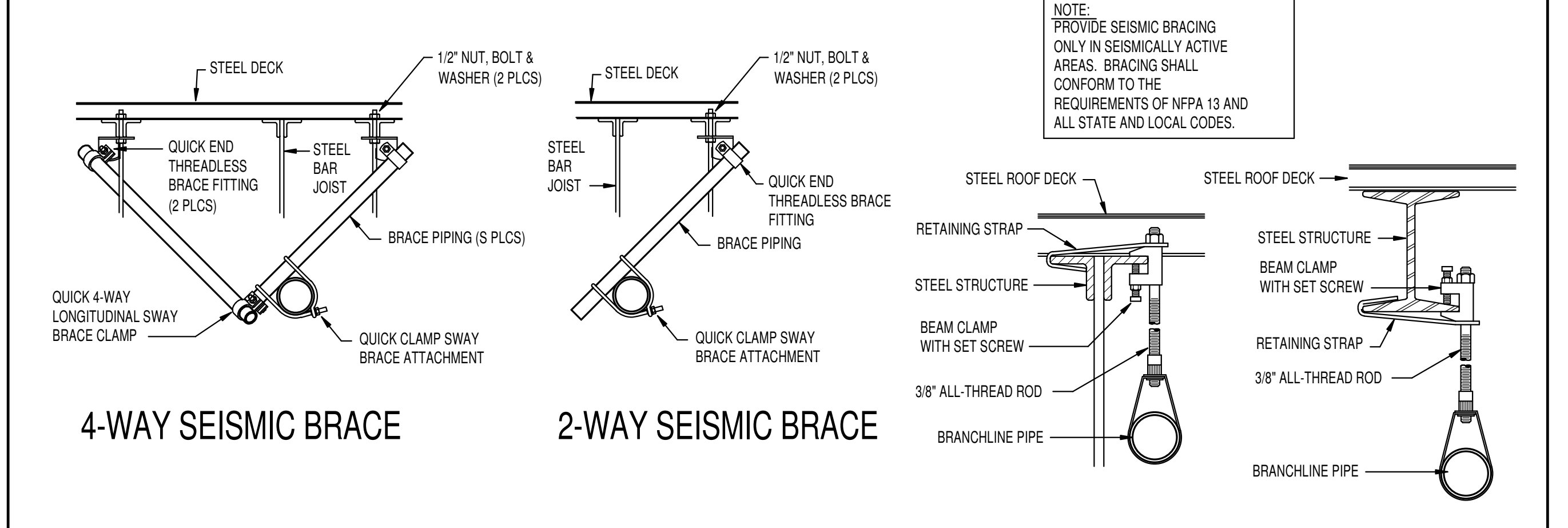
O PIPE SUPPORT DETAIL NO SCALE



P DRY PENDENT HEAD INSTALLATION DETAIL NO SCALE



Q SPRINKLER HEAD COORDINATION DETAILS NO SCALE



R SEISMIC BRACING AND PIPE HANGER DETAIL NO SCALE

HUMMEL
 a: 2785 North Bogus Basin Road
 Boise, Idaho 83702
 p: (208) 343.7523
 f: (208) 343.0940

Project:
POCATELLO HIGH SCHOOL - ADDITION & RENO.

325 N ARTHUR AVE
 POCATELLO, ID 83204

Sheet:
PLUMBING DETAILS

Revisions: Δ

Project No: 14-Jensen
 Project Number: 01/24/2020
 Drawn By: D Subwicks
 Checked By:
 Date:
 Sheet No:

Engineered Systems Associates
 1355 EAST CENTER
 POCATELLO, IDAHO 83201
 PHONE: (208) 233-0501
 FAX: (208) 233-0529
 EMAIL: esa@engsys.com
 ESA JOB NUMBER: 18075

P3.1

BID SET - 01/24/2020